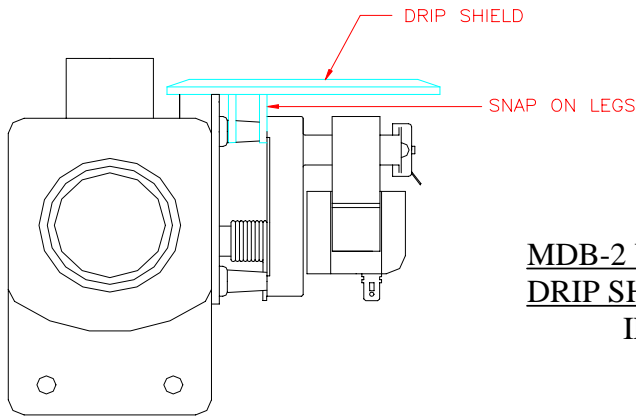


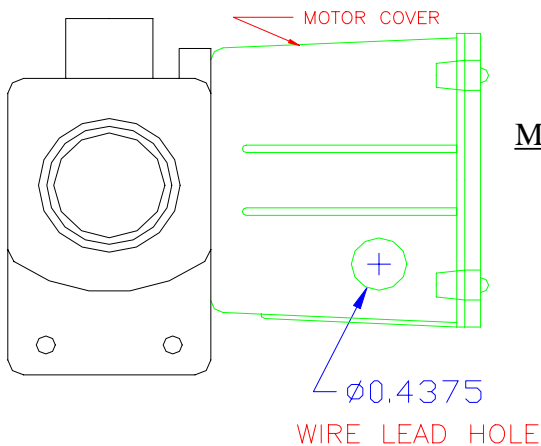
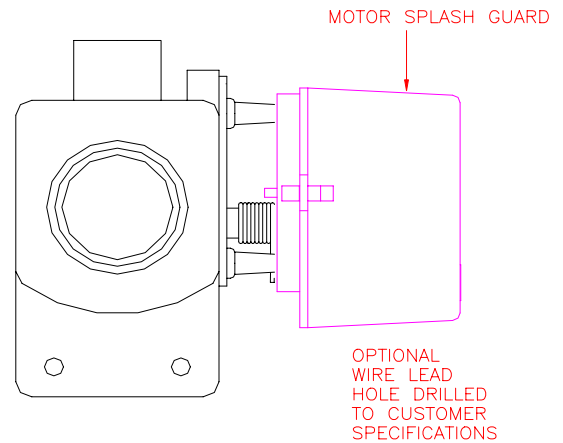
Depend-O-Drain, Inc. • 6012 33rd Street E. • Bradenton, FL., U.S.A. 34203-5402
 Tel.: (941) 756-1710 • Fax: (941) 758-9178 • Email: info@DependoDrain.com
 Visit our web site at: www.DependoDrain.com

MOTOR COVERS



MDB-2 VALVE WITH A DRIP SHIELD -
DRIP SHIELD PART NUMBER 900096
 IP RATING = IP01

MDB-2 VALVE WITH A SPLASH COVER -
SPLASH COVER PART NUMBER 900165
 IP RATING = IP43



MDB-2 VALVE WITH MOTOR COVER -
MOTOR COVER FOR IMPACT AND FLAME RESISTANCE
MOTOR COVER PART NUMBER 900087
 IP RATING = IP66