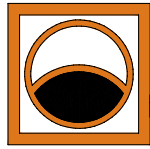


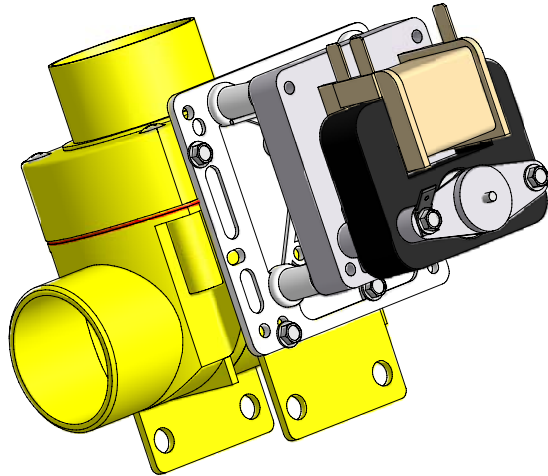
depend-o



drain

Manufacturers of Plastic Valves and Custom Injection Molded Products

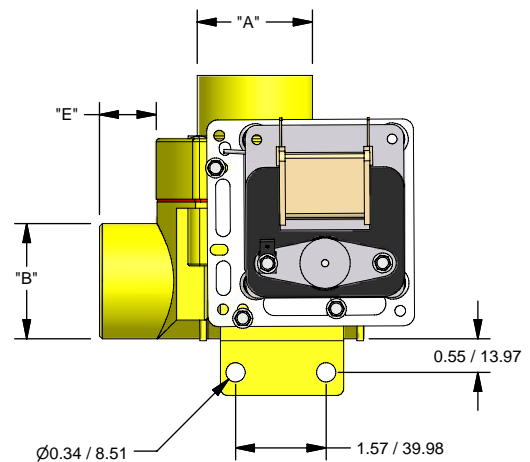
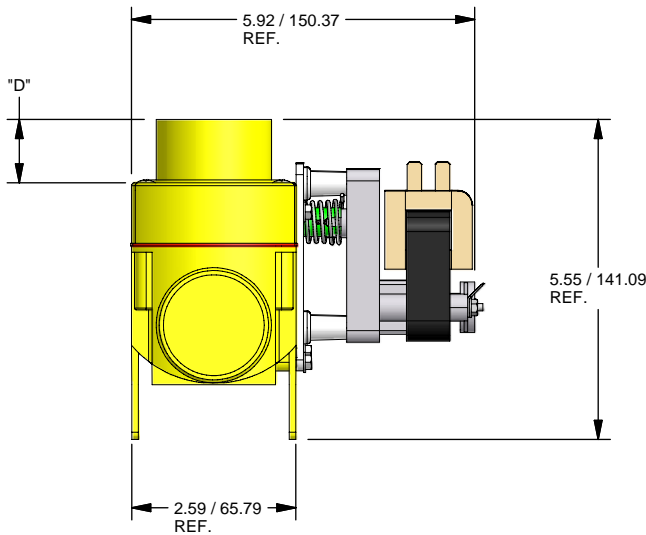
6012 33rd Street East
 Bradenton, FL 34203-5402 USA
 Ph: (01) 941-756-1710 Fax: (01) 941-758-9178
 www.dependodrain.com E-mail: info@dependodrain.com



MODEL MDP-2RA

Optional Features:

Motor voltage (24 VAC, 115 VAC, 230 VAC).
 Motor cycles (50 Hz, 60 Hz).
 Three different motor cover/protectors.
 Wire leads or terminals on the motor.
 Gray, natural or yellow valve housing color.
 Overflow bypass port.
 Normally open or normally closed.



DEPEND-O-DRAIN
 REGISTERED TO ISO 9002
 CERTIFICATE NO. A5730

Available Inlets* "A" x "D" (O.D. x Length) inches	Available Outlets* "B" x "E" (O.D. x Length) inches
1.5" x 1.14" 1.9" x 1.1" 2.0" x 1.1" 2.3" x 1.18" 2.3" x 2.7"	2.0" x 1.0"

* Customized sizes available on request