

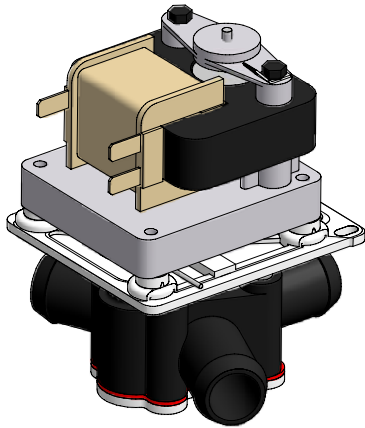
depend-o



drain

Manufacturers of Plastic Valves and Custom Injection Molded Products

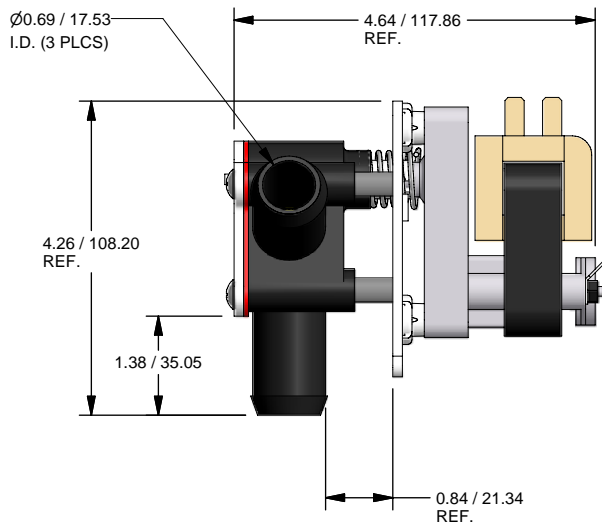
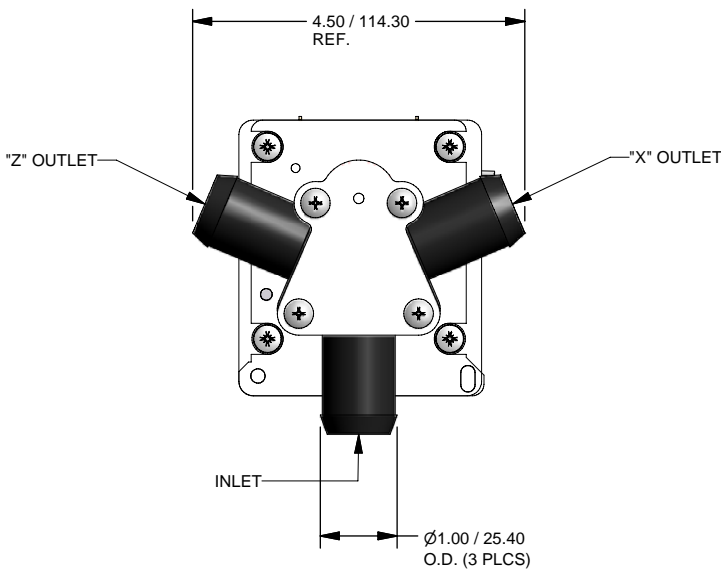
6012 33rd Street East
Bradenton, FL 34203-5402 USA
Ph: (01) 941-756-1710 Fax: (01) 941-758-9178
www.dependodrain.com E-mail: info@dependodrain.com



MODEL MDIV-100-1

Optional Features:

Motor voltage (24 VAC, 115 VAC, 230 VAC).
Motor cycles (50 Hz, 60 Hz).
Three different motor cover/protectors.
Wire leads or terminals on the motor



NOTES

1. Body material = Phenolic
2. Seals = Viton® or EPDM
3. Screws = Stainless Steel
4. Mounting plates to Customer specifications.
5. Ports "X" or "Z" can be molded shut to produce straight flow through open / shut valves.



DEPEND-O-DRAIN
REGISTERED TO ISO 9002
CERTIFICATE NO. A5730