

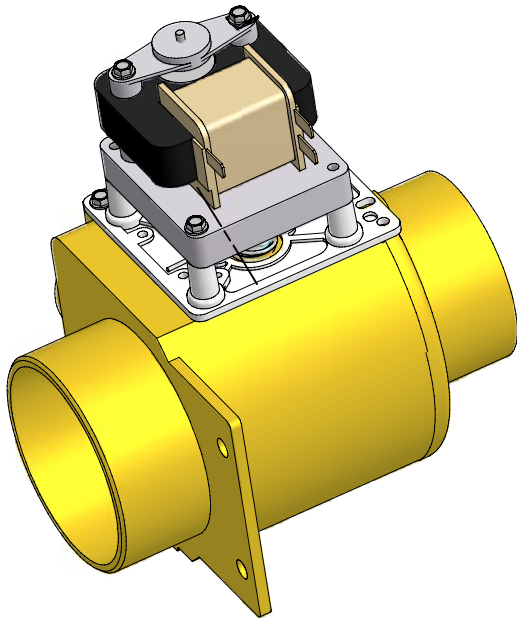
depend-o



drain

Manufacturers of Plastic Valves and Custom Injection Molded Products

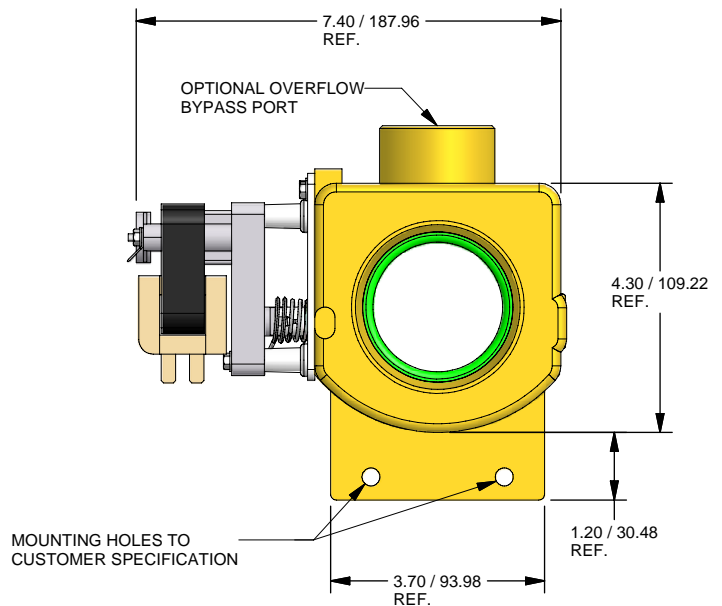
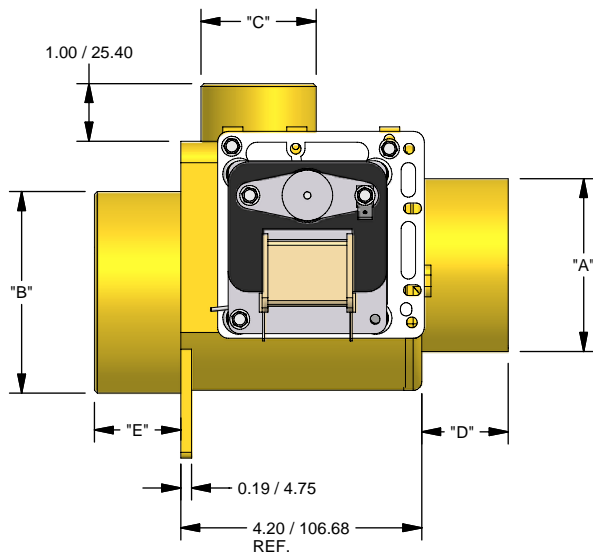
6012 33rd Street East
 Bradenton, FL 34203-5402 USA
 Ph: (01) 941-756-1710 Fax: (01) 941-758-9178
 www.dependodrain.com E-mail: info@dependodrain.com



MODEL MDB-3

Optional Features:

- Motor voltage (24 VAC, 115 VAC, 230 VAC).
- Motor cycles (50 Hz, 60 Hz).
- Three different motor cover/protectors.
- Wire leads or terminals on the motor.
- Gray, natural or yellow valve housing color.
- Overflow bypass port.
- Normally open or normally closed.



DEPEND-O-DRAIN
 REGISTERED TO ISO 9002
 CERTIFICATE NO. A5730

Available Inlets* "A" x "D" (O.D. x Length) inches	Available Outlets* "B" x "E" (O.D. x Length) inches metric	Available Optional Overflow Port* "C" (O.D. x Length) inches
3" x 2.4" 2-7/8" x 2.4" 3" x 1.5" 3" x 0.5"	3.15" x 1.5" 2-7/8" x 1.5" 3" x 1.5"	56mm x 25.4mm
		1-1/2" x 1" 1-3/8" x 1"

* Customized sizes available on request