

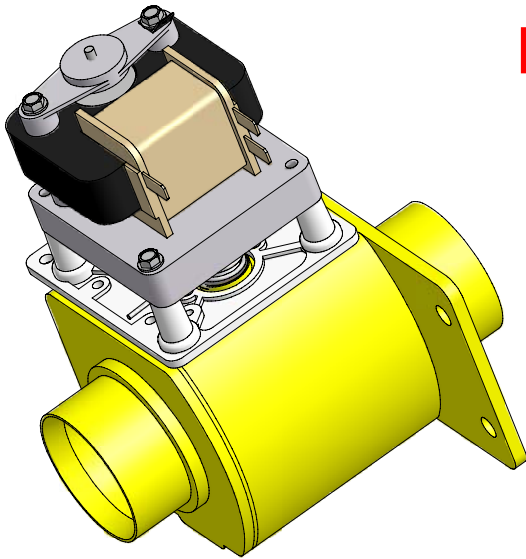
depend-o



drain

Manufacturers of Plastic Valves and Custom Injection Molded Products

6012 33rd Street East
 Bradenton, FL 34203-5402 USA
 Ph: (01) 941-756-1710 Fax: (01) 941-758-9178
 www.dependodrain.com E-mail: info@dependodrain.com

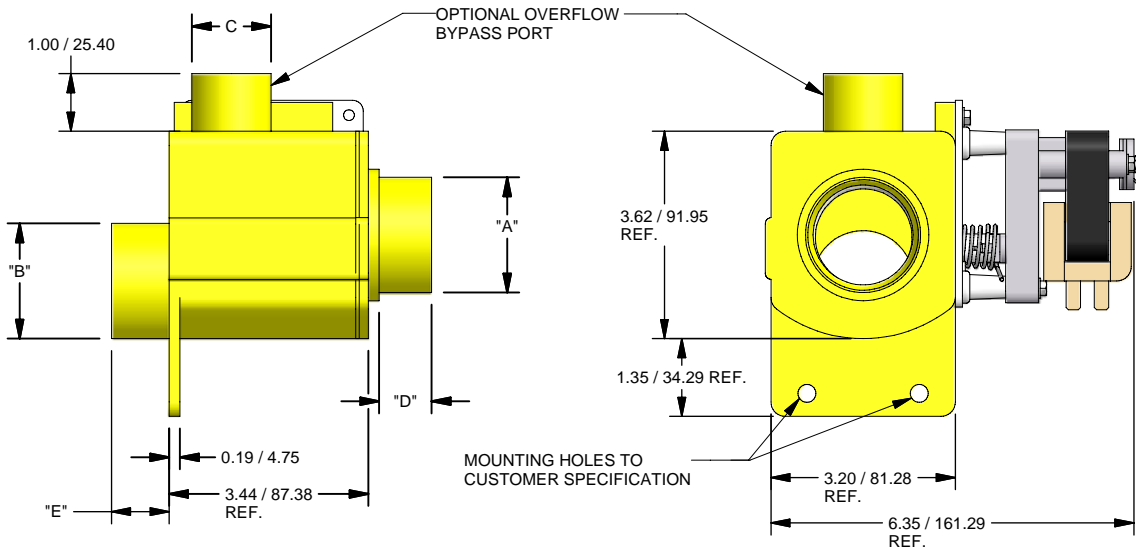


MODEL MDB-2 MDB-2M

MDB-2 = TPE seal
 MDB-2M = EPDM seal

Optional Features:

Motor voltage (24 VAC, 115 VAC, 230 VAC).
 Motor cycles (50 Hz, 60 Hz).
 Three different motor cover/protectors.
 Wire leads or terminals on the motor.
 Gray, natural or yellow valve housing color.
 Overflow bypass port.
 Normally open or normally closed.



Available Inlets* "A" x "D" (O.D. x Length) inches metric		Available Outlets* "B" x "E" (O.D. x Length) inches metric		Available Optional Overflow Port* "C" (O.D. x Length) inches
1.5" x 1"	55mm x 25.4mm	2" x 1"	50mm x 25.4mm	5/8" x 1"
2" x 1"	55mm x 16mm	2" x 1"	55mm x 25.4mm	1-3/8" x 1"
	58mm x 25.4mm		60mm x 25.4mm	1-1/2" x 1"
	58mm x 10mm			



DEPEND-O-DRAIN
 REGISTERED TO ISO 9002
 CERTIFICATE NO. A5730

* Customized sizes available on request